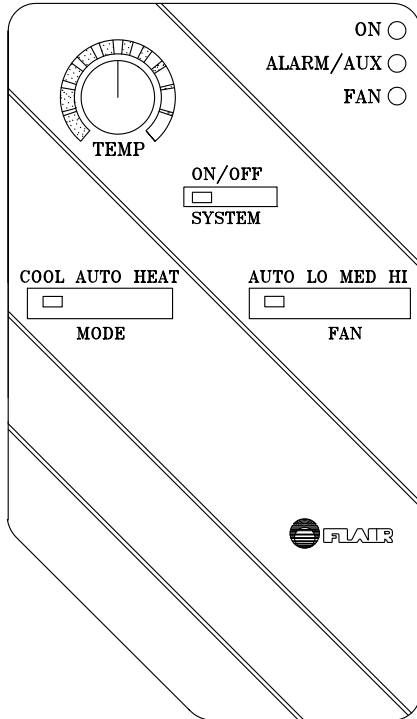


ELECTRONIC PROPORTIONAL THERMOSTAT *series TE93*

For proportional valve control of heating and cooling fan coil systems.



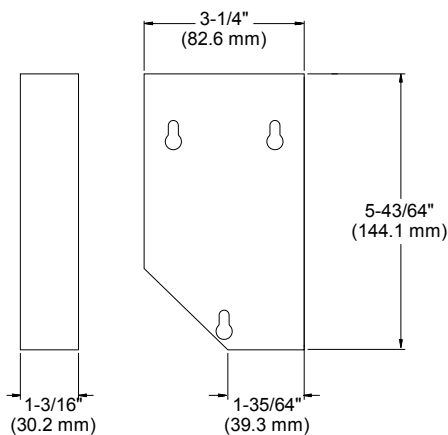
BENEFITS & SPECIAL FEATURES

- Proportional output provides fast and accurate positioning for zone actuators and valves.
- Proportional integral control eliminates overshoot and droop.
- Adjustable dead band prevents overlapping between heating and cooling modes.
- Manual on/off override.
- Electronic temperature limiting and locking.
- Low and high limit temperature alarms can activate a dry contact to switch an external control.
- Automatic heating/cooling changeover.
- Three speed automatic fan control with manual override.
- Direct or reverse acting outputs.
- System status indicators.
- Adjustable differential band.
- Warmer/cooler scale standard.
- Fahrenheit and Celsius scales included.

SPECIFICATIONS

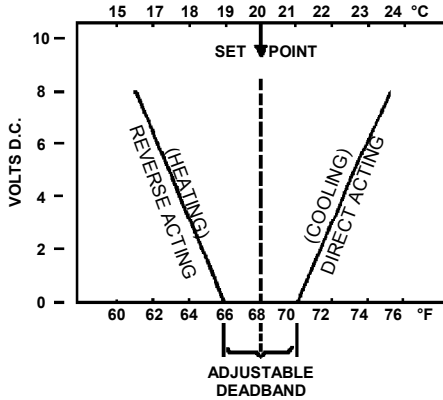
Operating Voltage:	24 vac (-15%, +10%, 50-60 Hz)
Output:	0-10 VDC or 4-20mA
Temperature Range:	50° F - 90° F (10° C - 32° C)
Temperature Differential:	
Heating:	0-2° C approximately ±0.8° F (.4° C)
Cooling:	0-2° C approximately ±0.8° F (.4° C)
Fan (in auto mode):	
Low:	< 2° F (1.1° C)
Med:	2 - 4° F (1.1°-2.2° C)
High:	> 4° F (2.2° C)
Bandwidth:	0-10° C/0-2° F (0-1.1° C)
Dead Band:	Adjustable 0 - 4° F (2.2° C) to set point
Sensor System:	Negative Temperature Coefficient (NTC)
Standard:	internal
Optional:	remote temperature sensor
Optional:	return air temperature sensor
Switches :	
Slide:	SYSTEM: ON/OFF
Slide:	MODE: COOL/AUTO/HEAT
Slide:	FAN: AUTO/LOW/MED/HIGH
Rotating:	set TEMPerature
Indicator LED's:	ON (Green)
	ALARM (Flashing Red) AUX (Steady Red)
	(Slow Flashing Yellow)
	(Flashing Yellow)
	(Fast Flashing Yellow)
FAN:	
Low:	Electronic temperature limiting and locking
Med:	
High:	
Security:	Electronic temperature limiting and locking
Dimensions:	5 ⁴³ / ₆₄ x 3 ¹ / ₄ x 1 ³ / ₁₆ Inches (144.1 x 82.6 x 30.2 mm)
Material:	abs plastic
Color:	matte white

DIMENSIONS

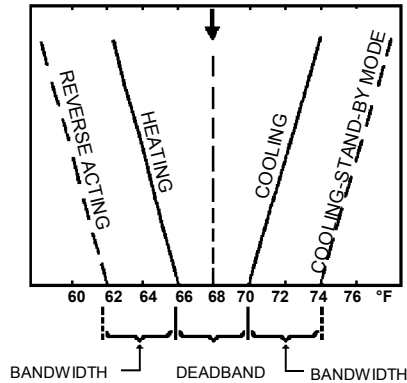


MODEL NUMBERS AND DESCRIPTIONS FOR VARIOUS APPLICATIONS

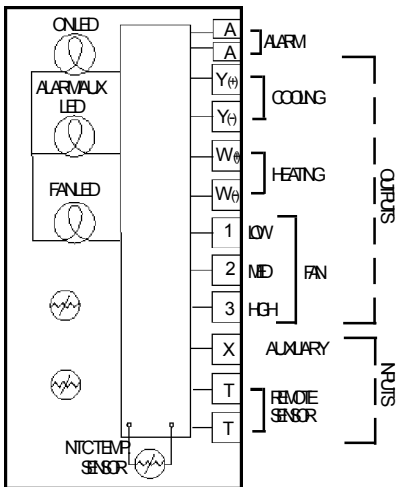
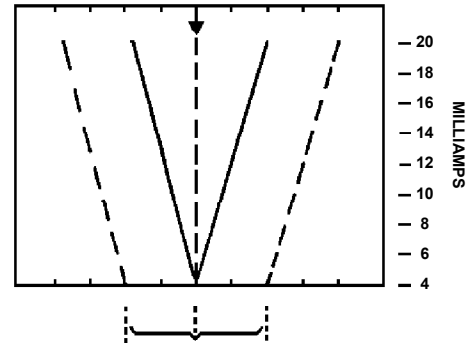
Zero Bandwidth Positive Deadband



Positive Bandwidth and Deadband



Positive Bandwidth Zero Deadband



Model Number: TE931120
Description: 1 stage heat, 1 stage cool

Switching Current at 24 VAC:
Cooling: 1 Amp
Heating: 1 Amp
Fan: 1 Amp
Weight: .4 lbs. (880 g)

ACCESSORIES

Remote Temperature Sensor	TX101001
Return Air Temperature Sensor	TX101011
Backplates may be used to cover large holes in walls or mount to utility boxes:	
horizontal	TX201001
vertical	TX202001
square	TX203001
Transformers:	
40 VA	TR140100
20 VA	TR120100
Relay Transformers:	
20 VA (2) SPST 120 VAC relay	TR440200
20 VA (1) SPST 120 VAC relay	TR440300

APPLICATIONS

- Central (main) heating or cooling.
- Zone heating or cooling.
- Residential. (Single or multi-family, Apartments, Co-ops, Condominiums)
- Commercial. (Stores, Restaurants, Offices)
- Industrial
- Institutional. (Hospitals, Hotels, Motels)

REFERENCES

For More Information On:	See:
Remote version	TF93 data sheet
Wiring, jumper, potentiometer settings and applications	Instruction sheet
Other thermostats	This section
Zone Actuators	Star Actuator section
Zone Valves	Star Valve section
Wiring Panels	Control Panels section
Warranty & Pricing	Pricing & Terms section



FLAIR

Flair pursues a policy of constant improvement. For this reason, all specifications are subject to change without notice.

FLAIR INTERNATIONAL CORPORATION

600 Old Willets Path • Hauppauge, New York 11788 • Tel: (516) 234-3600 • Fax: (516) 234-3610